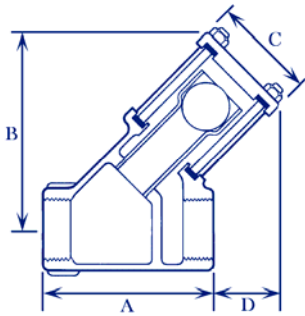


LEVEL & SIGHT INDICATORS



SH

SPIRAX SARCO SIGHT CHECK



Part No SH

BRONZE BODY WITH BSP THREADED CONNECTIONS

SIZE	DN15	DN20	DN25
BSP	1/2	3/4	1
A	76	76	89
B	95	95	108
C	44	44	54
D	64	64	64

The SH sight check is a sight glass and check valve combination in one unit. A ball in the top of the flow tube is lifted off its seat by the fluid as it flows through the cylindrical window to the outlet connection. The ball movement makes the flow easy to see yet provides shut-off on reverse flow.

Features & Benefits

- Robustly manufactured.
- Combined sight & check.
- Low maintenance.
- Easy & quick inspection.
- Spare parts available.

Pressure & Temperature

Pressure range:-
Up to 3.5 Bar.

Temperature Range:-
0°C to 148°C.

MATERIALS

Body	Bronze
Sight Tube	Borosilicate Glass
Discharge Tube	Copper
Ball Check	Stainless Steel
Cover	Brass

AVAILABLE SPARES

Sight Tube Assembly
Discharge Tube Assembly (Set of 2)
Fastener Set (Set of 4)
Gasket Set (Packet of 6)